

# FLOW LIMITING VALVE



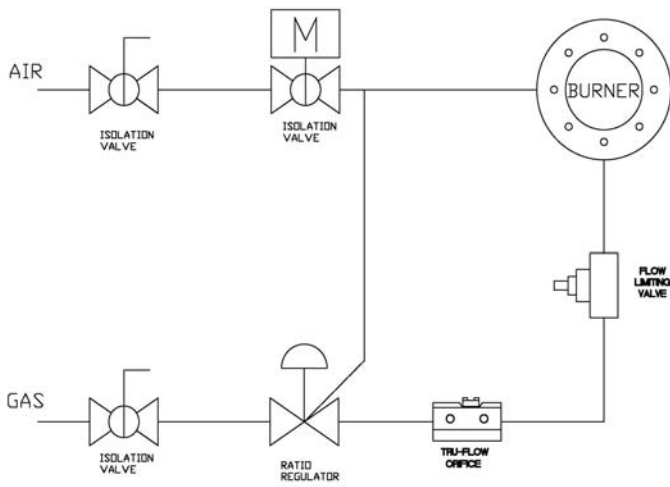
The Flow Limiting Valve (FLV) can be used to balance flows between common lines or as a fine tuning adjustment to the air/gas ratio. The FLV can be used in single or multiple burner systems. The materials of construction are selected to allow for use with any commercial fuel gas, fuel oil, and air. A specially-designed version is also available for use with oxygen.

The knurled top cap is designed to be hand-tight to minimize the tools necessary, while preventing accidental changes and discourage tampering. The bronze body and brass/bronze internals prevent rusting and sticking.

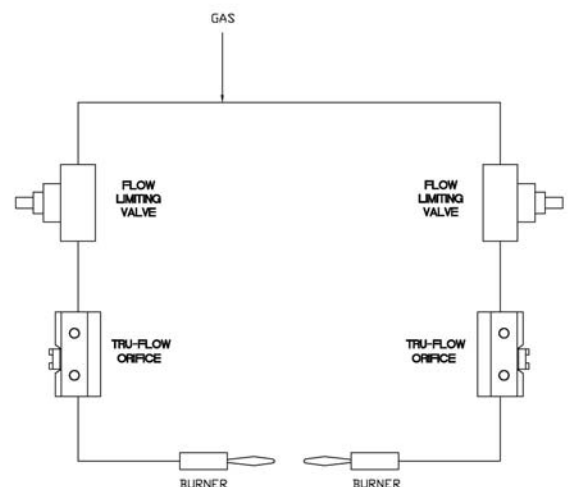
Although the FLV is designed with minimal leakage in the fully closed position, they should never be used as a shut off valve. Ball valves, plug valves, and gas cocks should be installed to perform this function.

Precise adjustment of the flow is accomplished by removing the cap, and rotating the adjusting screw clockwise to reduce flow or counter-clockwise to increase flow.

Flow Limiting Valves are available in the following pipe sizes: 1/2", 3/4", 1", 1 1/4", 1 1/2" and 2".



As a fine tune adjustment to gas.



To balance flow in common lines.